



RIVERSIDE COUNTY

INDIO
FAIRGROUNDS

82-503 HIGHWAY 111
INDIO, CA. 92201

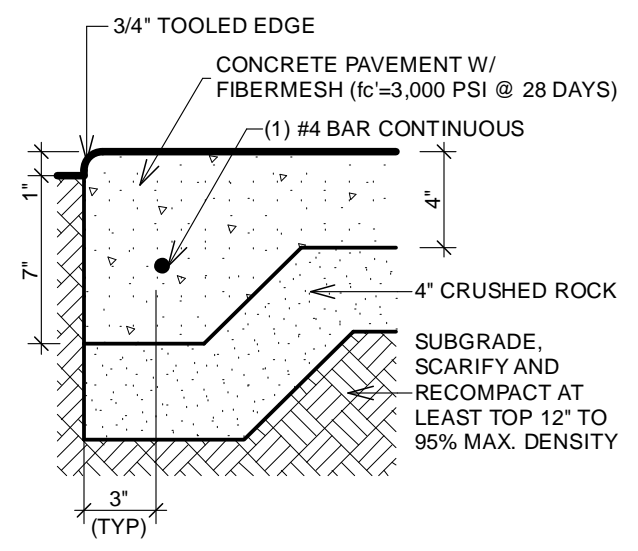
COUNTY OF RIVERSIDE
REDEVELOPMENT AGENCY



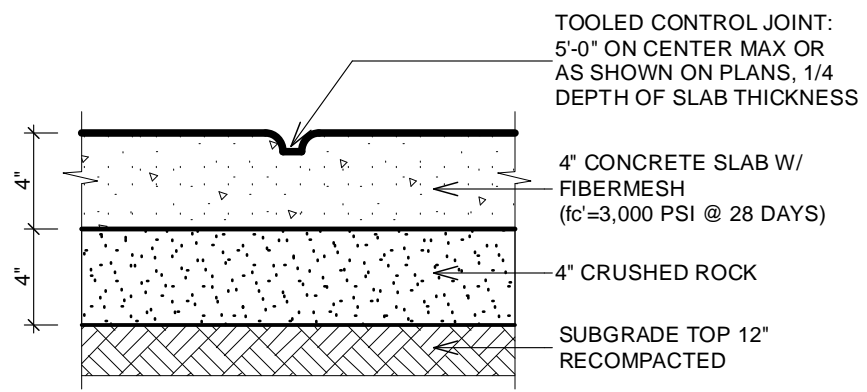
SHEET TITLE

THE CONCERT
PAVILION ADA
UPGRADES

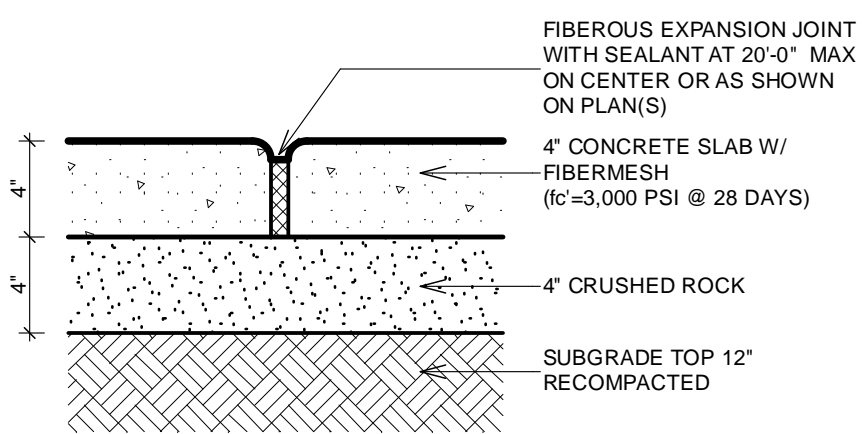
AS-100



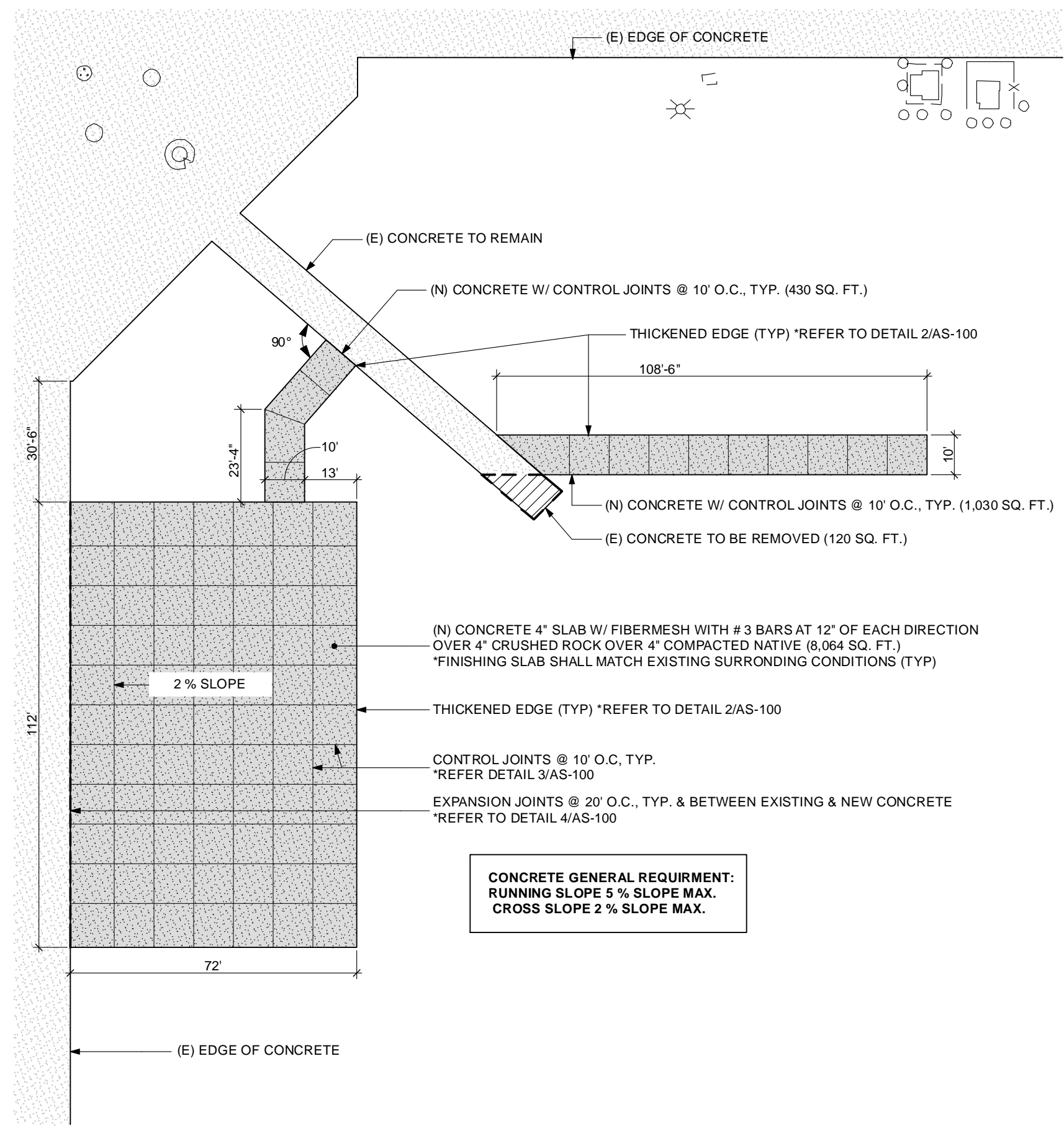
2 THICKEND EDGE AT 4" SLAB
SCALE: 1 1/2" = 1'-0"



3 CONTROL JOINT
SCALE: 1 1/2" = 1'-0"



4 EXPANSION JOINT
SCALE: 1 1/2" = 1'-0"



1 THE CONCERT PAVILION ADA UPGRADES
SCALE: 1" = 30'

**CONCRETE GENERAL REQUIREMENT:
RUNNING SLOPE 5% SLOPE MAX.
CROSS SLOPE 2% SLOPE MAX.**